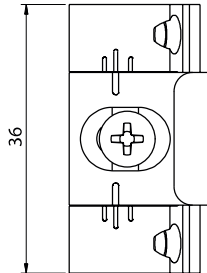
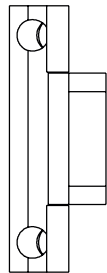
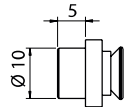
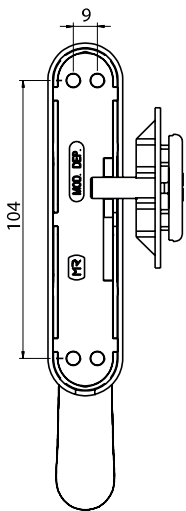


# CREMONA

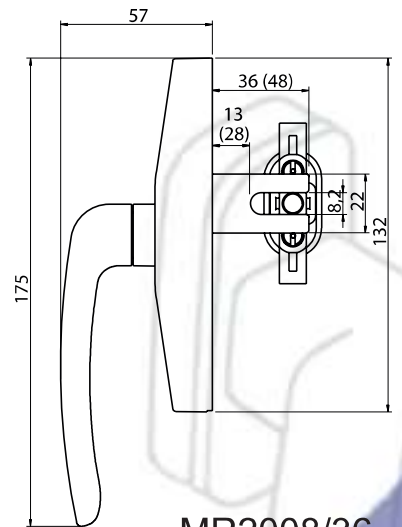
MR2008



Ponto fecho CE  
MR2008



Ponto fecho CE  
MR2008



MR2008/36  
MR2008/48